



Wall Mount
(VWGL-2)



Ceiling Mount
(VBGL-2)

Key Features & Benefits

- 2,673-2,722 Lumens, 134-136 Lumens per watt
- Frosted glass globe distributes light evenly without any LED pixilation or glare
- Rugged die-cast aluminum housing with textured gray powder paint provides corrosion resistance and clean finish
- Versatile mounting options include:
 - Direct wall (surface J-box included standard)
 - 1/2" threaded hub – surface/ceiling/pendant
- IP66, listed to UL1598 for use in wet locations
- Colored globes available: Red, Green, Yellow and Blue

COLORED GLOBES AVAILABLE



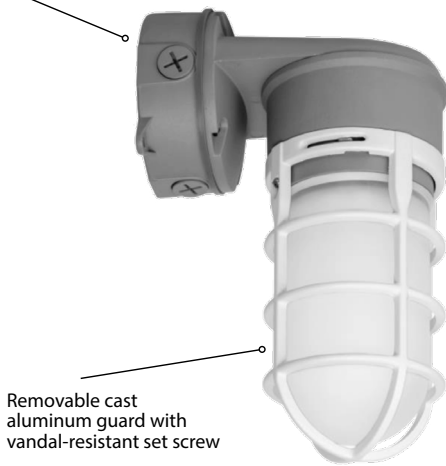
ORDERING INFORMATION

Catalog Number	Wattage	Mount	Voltage	CCT/CRI	Lumens	LPW	Finish
VWGL-2	20	Wall	120-277V	4000K/80 CRI	2722	136	Grey
VBGL-2	20	Ceiling	120-277V	4000K/80 CRI	2673	134	Grey

FEATURES

Wall mount accommodates traditional junction box mounting (surface and j-box included standard)

Ceiling/surface mount, 1/2" 14 NPS threaded conduit - one top hub, four side hubs



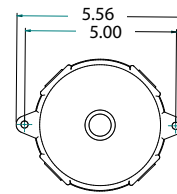
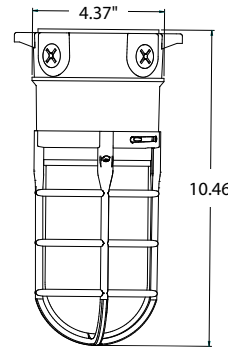
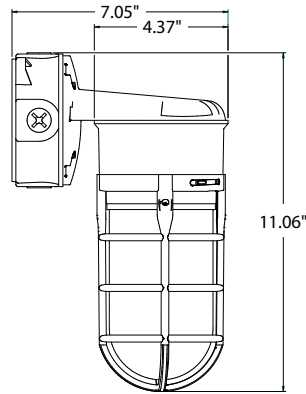
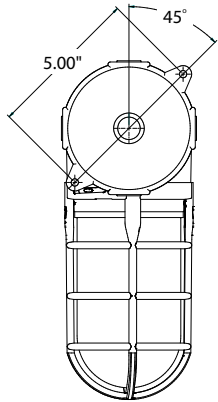
Removable cast aluminum guard with vandal-resistant set screw

Rugged die-cast aluminum housing with removable cast aluminum guard included, gray finish



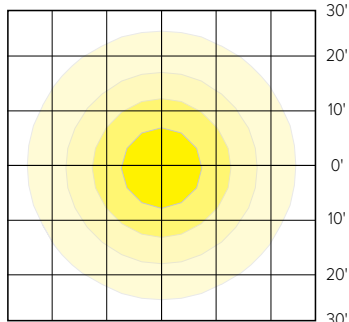
Frosted glass lens distributes light evenly without glare

DIMENSIONS



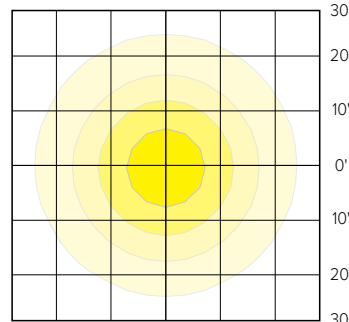
PHOTOMETRY

VWGL-2



Mounting Distance: 10'

VBGL-2



Mounting Distance: 10'

REPLACEMENT PARTS (GLOBES) - ORDER SEPARATELY

Catalog Number	Description
VGL-FG	Frosted globe
VGL2-GUARD	Guard with set screws
Colored Globes	
VGL-GN	Green globe
VGL-YW	Yellow globe
VGL-BU	Blue globe
VGL-RD	Red globe

